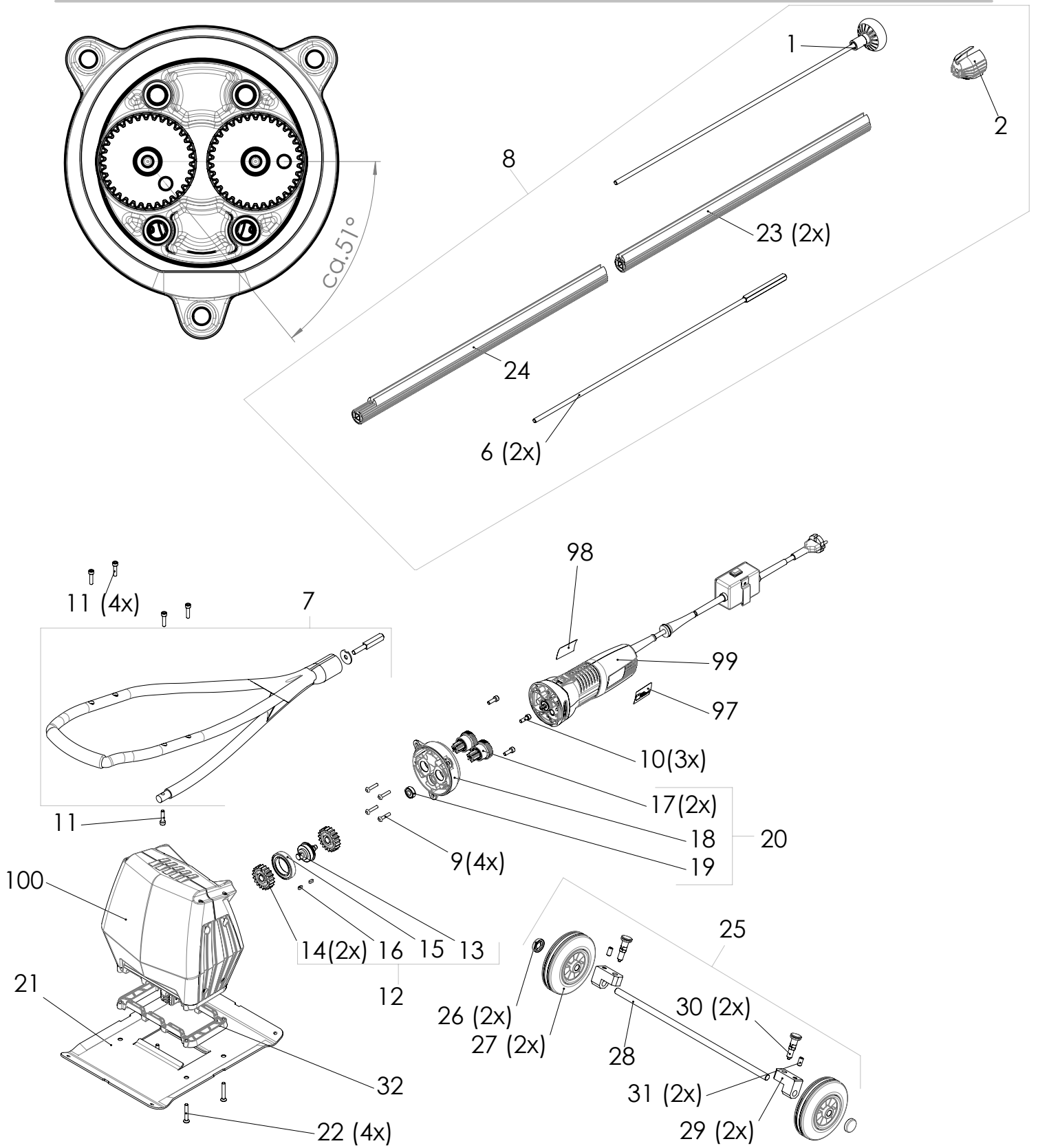




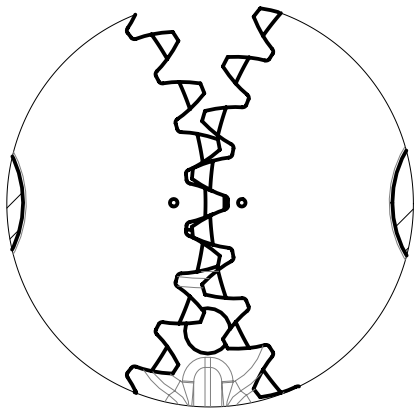
| 1893358 | TruTool TSC 100 (2A1) | D 230V 50/60Hz | | | | | | | | | | | | | | | | | | | | | | | | | | | | | | | | | | | | | | | | | | | | | | | | | | | | | | | | | | | | | | | | | | | | | | | | | | | | | | | | | | | | | | | | | | | | | | | | | | | | | | | | | | | | | | | | |
|---|------------------------------|------------------|----|--------------|-------------------|-------------|-------------------|-------------|-------------------|--------------|------------|---|---------|---|---------|---|---------|---|---------|---|---------|---------------|---|---------|----|---------|----|---------|----|---------|----|---------|----|---------|----|---------|----|---------|----|---------|----|---------|----|---------|----|---------|---|----|---------|--|----|---------|--|----|---------|--|----|---------|--|----|---------|--|----|---------|--|----|---------|--|----|---------|--|----|---------|--|----|---------|--|----|---------|--|----|---------|--|----|---------|----------------|---------|-----------------|---------|--------------|---------|------------------|---------|--------------|--|---------|--------------|----|---------|----------------|---------|-----------------|---------|--------------|---------|------------------|---------|--------------|--|---------|--------------|-----|--|-----------------|
| 1893359 | | CH 230V 50/60Hz | | | | | | | | | | | | | | | | | | | | | | | | | | | | | | | | | | | | | | | | | | | | | | | | | | | | | | | | | | | | | | | | | | | | | | | | | | | | | | | | | | | | | | | | | | | | | | | | | | | | | | | | | | | | | | | | |
| 1893360 | | GB 110V 50Hz | | | | | | | | | | | | | | | | | | | | | | | | | | | | | | | | | | | | | | | | | | | | | | | | | | | | | | | | | | | | | | | | | | | | | | | | | | | | | | | | | | | | | | | | | | | | | | | | | | | | | | | | | | | | | | | | |
| 1893361 | | USA 120V 50/60Hz | | | | | | | | | | | | | | | | | | | | | | | | | | | | | | | | | | | | | | | | | | | | | | | | | | | | | | | | | | | | | | | | | | | | | | | | | | | | | | | | | | | | | | | | | | | | | | | | | | | | | | | | | | | | | | | | |
| 1893362 | | KR 220V 60Hz | | | | | | | | | | | | | | | | | | | | | | | | | | | | | | | | | | | | | | | | | | | | | | | | | | | | | | | | | | | | | | | | | | | | | | | | | | | | | | | | | | | | | | | | | | | | | | | | | | | | | | | | | | | | | | | | |
| 2007355 | | CN 220V 50Hz | | | | | | | | | | | | | | | | | | | | | | | | | | | | | | | | | | | | | | | | | | | | | | | | | | | | | | | | | | | | | | | | | | | | | | | | | | | | | | | | | | | | | | | | | | | | | | | | | | | | | | | | | | | | | | | | |
| <table border="1"> <thead> <tr> <th>订货号</th> <th>备件</th> </tr> </thead> <tbody> <tr> <td>No. D'ORDINE</td> <td>PEZZO DI RICAMBIO</td> </tr> <tr> <td>NO. DE REF.</td> <td>PIEZA DE RECAMBIO</td> </tr> <tr> <td>NO. DE REF.</td> <td>PIECE DE RECHANGE</td> </tr> <tr> <td>NO BEST.-NR.</td> <td>ERSATZTEIL</td> </tr> <tr> <td>1</td> <td>1819825</td> </tr> <tr> <td>2</td> <td>1847608</td> </tr> <tr> <td>6</td> <td>1819826</td> </tr> <tr> <td>7</td> <td>1661331</td> </tr> <tr> <td>8</td> <td>1819918</td> <td>Inkl. Adapter</td> </tr> <tr> <td>9</td> <td>0359353</td> </tr> <tr> <td>10</td> <td>0014737</td> </tr> <tr> <td>11</td> <td>0014770</td> </tr> <tr> <td>12</td> <td>1633072</td> </tr> <tr> <td>13</td> <td>1614499</td> </tr> <tr> <td>14</td> <td>1617403</td> </tr> <tr> <td>15</td> <td>0341986</td> </tr> <tr> <td>16</td> <td>0012289</td> </tr> <tr> <td>17</td> <td>1614766</td> </tr> <tr> <td>18</td> <td>1648854</td> </tr> <tr> <td>19</td> <td>0027669</td> </tr> <tr> <td>20</td> <td>1616143</td> </tr> </tbody> </table> | | 订货号 | 备件 | No. D'ORDINE | PEZZO DI RICAMBIO | NO. DE REF. | PIEZA DE RECAMBIO | NO. DE REF. | PIECE DE RECHANGE | NO BEST.-NR. | ERSATZTEIL | 1 | 1819825 | 2 | 1847608 | 6 | 1819826 | 7 | 1661331 | 8 | 1819918 | Inkl. Adapter | 9 | 0359353 | 10 | 0014737 | 11 | 0014770 | 12 | 1633072 | 13 | 1614499 | 14 | 1617403 | 15 | 0341986 | 16 | 0012289 | 17 | 1614766 | 18 | 1648854 | 19 | 0027669 | 20 | 1616143 | <table border="1"> <tbody> <tr><td>21</td><td>1619017</td><td></td></tr> <tr><td>22</td><td>1727774</td><td></td></tr> <tr><td>23</td><td>1847813</td><td></td></tr> <tr><td>24</td><td>1847812</td><td></td></tr> <tr><td>26</td><td>1640812</td><td></td></tr> <tr><td>27</td><td>1640743</td><td></td></tr> <tr><td>28</td><td>1634353</td><td></td></tr> <tr><td>29</td><td>1634355</td><td></td></tr> <tr><td>30</td><td>0450081</td><td></td></tr> <tr><td>31</td><td>0013749</td><td></td></tr> <tr><td>32</td><td>1734714</td><td></td></tr> <tr><td>97</td><td>1951629</td><td></td></tr> <tr><td rowspan="5">98</td><td>1893449</td><td>D 230V 55/60Hz</td></tr> <tr><td>1893449</td><td>CH 230V 50/60Hz</td></tr> <tr><td>1893450</td><td>GB 110V 50Hz</td></tr> <tr><td>1893451</td><td>USA 120V 50/60Hz</td></tr> <tr><td>1893452</td><td>KR 220V 60Hz</td></tr> <tr><td></td><td>2007331</td><td>CN 220V 50Hz</td></tr> <tr><td rowspan="5">99</td><td>1893310</td><td>D 230V 55/60Hz</td></tr> <tr><td>1893351</td><td>CH 230V 50/60Hz</td></tr> <tr><td>1893352</td><td>GB 110V 50Hz</td></tr> <tr><td>1893353</td><td>USA 120V 50/60Hz</td></tr> <tr><td>1893310</td><td>KR 220V 60Hz</td></tr> <tr><td></td><td>2007324</td><td>CN 220V 50Hz</td></tr> <tr><td>100</td><td></td><td>→ Blatt-No: 3,4</td></tr> </tbody> </table> | 21 | 1619017 | | 22 | 1727774 | | 23 | 1847813 | | 24 | 1847812 | | 26 | 1640812 | | 27 | 1640743 | | 28 | 1634353 | | 29 | 1634355 | | 30 | 0450081 | | 31 | 0013749 | | 32 | 1734714 | | 97 | 1951629 | | 98 | 1893449 | D 230V 55/60Hz | 1893449 | CH 230V 50/60Hz | 1893450 | GB 110V 50Hz | 1893451 | USA 120V 50/60Hz | 1893452 | KR 220V 60Hz | | 2007331 | CN 220V 50Hz | 99 | 1893310 | D 230V 55/60Hz | 1893351 | CH 230V 50/60Hz | 1893352 | GB 110V 50Hz | 1893353 | USA 120V 50/60Hz | 1893310 | KR 220V 60Hz | | 2007324 | CN 220V 50Hz | 100 | | → Blatt-No: 3,4 |
| 订货号 | 备件 | | | | | | | | | | | | | | | | | | | | | | | | | | | | | | | | | | | | | | | | | | | | | | | | | | | | | | | | | | | | | | | | | | | | | | | | | | | | | | | | | | | | | | | | | | | | | | | | | | | | | | | | | | | | | | | | | |
| No. D'ORDINE | PEZZO DI RICAMBIO | | | | | | | | | | | | | | | | | | | | | | | | | | | | | | | | | | | | | | | | | | | | | | | | | | | | | | | | | | | | | | | | | | | | | | | | | | | | | | | | | | | | | | | | | | | | | | | | | | | | | | | | | | | | | | | | | |
| NO. DE REF. | PIEZA DE RECAMBIO | | | | | | | | | | | | | | | | | | | | | | | | | | | | | | | | | | | | | | | | | | | | | | | | | | | | | | | | | | | | | | | | | | | | | | | | | | | | | | | | | | | | | | | | | | | | | | | | | | | | | | | | | | | | | | | | | |
| NO. DE REF. | PIECE DE RECHANGE | | | | | | | | | | | | | | | | | | | | | | | | | | | | | | | | | | | | | | | | | | | | | | | | | | | | | | | | | | | | | | | | | | | | | | | | | | | | | | | | | | | | | | | | | | | | | | | | | | | | | | | | | | | | | | | | | |
| NO BEST.-NR. | ERSATZTEIL | | | | | | | | | | | | | | | | | | | | | | | | | | | | | | | | | | | | | | | | | | | | | | | | | | | | | | | | | | | | | | | | | | | | | | | | | | | | | | | | | | | | | | | | | | | | | | | | | | | | | | | | | | | | | | | | | |
| 1 | 1819825 | | | | | | | | | | | | | | | | | | | | | | | | | | | | | | | | | | | | | | | | | | | | | | | | | | | | | | | | | | | | | | | | | | | | | | | | | | | | | | | | | | | | | | | | | | | | | | | | | | | | | | | | | | | | | | | | | |
| 2 | 1847608 | | | | | | | | | | | | | | | | | | | | | | | | | | | | | | | | | | | | | | | | | | | | | | | | | | | | | | | | | | | | | | | | | | | | | | | | | | | | | | | | | | | | | | | | | | | | | | | | | | | | | | | | | | | | | | | | | |
| 6 | 1819826 | | | | | | | | | | | | | | | | | | | | | | | | | | | | | | | | | | | | | | | | | | | | | | | | | | | | | | | | | | | | | | | | | | | | | | | | | | | | | | | | | | | | | | | | | | | | | | | | | | | | | | | | | | | | | | | | | |
| 7 | 1661331 | | | | | | | | | | | | | | | | | | | | | | | | | | | | | | | | | | | | | | | | | | | | | | | | | | | | | | | | | | | | | | | | | | | | | | | | | | | | | | | | | | | | | | | | | | | | | | | | | | | | | | | | | | | | | | | | | |
| 8 | 1819918 | Inkl. Adapter | | | | | | | | | | | | | | | | | | | | | | | | | | | | | | | | | | | | | | | | | | | | | | | | | | | | | | | | | | | | | | | | | | | | | | | | | | | | | | | | | | | | | | | | | | | | | | | | | | | | | | | | | | | | | | | | |
| 9 | 0359353 | | | | | | | | | | | | | | | | | | | | | | | | | | | | | | | | | | | | | | | | | | | | | | | | | | | | | | | | | | | | | | | | | | | | | | | | | | | | | | | | | | | | | | | | | | | | | | | | | | | | | | | | | | | | | | | | | |
| 10 | 0014737 | | | | | | | | | | | | | | | | | | | | | | | | | | | | | | | | | | | | | | | | | | | | | | | | | | | | | | | | | | | | | | | | | | | | | | | | | | | | | | | | | | | | | | | | | | | | | | | | | | | | | | | | | | | | | | | | | |
| 11 | 0014770 | | | | | | | | | | | | | | | | | | | | | | | | | | | | | | | | | | | | | | | | | | | | | | | | | | | | | | | | | | | | | | | | | | | | | | | | | | | | | | | | | | | | | | | | | | | | | | | | | | | | | | | | | | | | | | | | | |
| 12 | 1633072 | | | | | | | | | | | | | | | | | | | | | | | | | | | | | | | | | | | | | | | | | | | | | | | | | | | | | | | | | | | | | | | | | | | | | | | | | | | | | | | | | | | | | | | | | | | | | | | | | | | | | | | | | | | | | | | | | |
| 13 | 1614499 | | | | | | | | | | | | | | | | | | | | | | | | | | | | | | | | | | | | | | | | | | | | | | | | | | | | | | | | | | | | | | | | | | | | | | | | | | | | | | | | | | | | | | | | | | | | | | | | | | | | | | | | | | | | | | | | | |
| 14 | 1617403 | | | | | | | | | | | | | | | | | | | | | | | | | | | | | | | | | | | | | | | | | | | | | | | | | | | | | | | | | | | | | | | | | | | | | | | | | | | | | | | | | | | | | | | | | | | | | | | | | | | | | | | | | | | | | | | | | |
| 15 | 0341986 | | | | | | | | | | | | | | | | | | | | | | | | | | | | | | | | | | | | | | | | | | | | | | | | | | | | | | | | | | | | | | | | | | | | | | | | | | | | | | | | | | | | | | | | | | | | | | | | | | | | | | | | | | | | | | | | | |
| 16 | 0012289 | | | | | | | | | | | | | | | | | | | | | | | | | | | | | | | | | | | | | | | | | | | | | | | | | | | | | | | | | | | | | | | | | | | | | | | | | | | | | | | | | | | | | | | | | | | | | | | | | | | | | | | | | | | | | | | | | |
| 17 | 1614766 | | | | | | | | | | | | | | | | | | | | | | | | | | | | | | | | | | | | | | | | | | | | | | | | | | | | | | | | | | | | | | | | | | | | | | | | | | | | | | | | | | | | | | | | | | | | | | | | | | | | | | | | | | | | | | | | | |
| 18 | 1648854 | | | | | | | | | | | | | | | | | | | | | | | | | | | | | | | | | | | | | | | | | | | | | | | | | | | | | | | | | | | | | | | | | | | | | | | | | | | | | | | | | | | | | | | | | | | | | | | | | | | | | | | | | | | | | | | | | |
| 19 | 0027669 | | | | | | | | | | | | | | | | | | | | | | | | | | | | | | | | | | | | | | | | | | | | | | | | | | | | | | | | | | | | | | | | | | | | | | | | | | | | | | | | | | | | | | | | | | | | | | | | | | | | | | | | | | | | | | | | | |
| 20 | 1616143 | | | | | | | | | | | | | | | | | | | | | | | | | | | | | | | | | | | | | | | | | | | | | | | | | | | | | | | | | | | | | | | | | | | | | | | | | | | | | | | | | | | | | | | | | | | | | | | | | | | | | | | | | | | | | | | | | |
| 21 | 1619017 | | | | | | | | | | | | | | | | | | | | | | | | | | | | | | | | | | | | | | | | | | | | | | | | | | | | | | | | | | | | | | | | | | | | | | | | | | | | | | | | | | | | | | | | | | | | | | | | | | | | | | | | | | | | | | | | | |
| 22 | 1727774 | | | | | | | | | | | | | | | | | | | | | | | | | | | | | | | | | | | | | | | | | | | | | | | | | | | | | | | | | | | | | | | | | | | | | | | | | | | | | | | | | | | | | | | | | | | | | | | | | | | | | | | | | | | | | | | | | |
| 23 | 1847813 | | | | | | | | | | | | | | | | | | | | | | | | | | | | | | | | | | | | | | | | | | | | | | | | | | | | | | | | | | | | | | | | | | | | | | | | | | | | | | | | | | | | | | | | | | | | | | | | | | | | | | | | | | | | | | | | | |
| 24 | 1847812 | | | | | | | | | | | | | | | | | | | | | | | | | | | | | | | | | | | | | | | | | | | | | | | | | | | | | | | | | | | | | | | | | | | | | | | | | | | | | | | | | | | | | | | | | | | | | | | | | | | | | | | | | | | | | | | | | |
| 26 | 1640812 | | | | | | | | | | | | | | | | | | | | | | | | | | | | | | | | | | | | | | | | | | | | | | | | | | | | | | | | | | | | | | | | | | | | | | | | | | | | | | | | | | | | | | | | | | | | | | | | | | | | | | | | | | | | | | | | | |
| 27 | 1640743 | | | | | | | | | | | | | | | | | | | | | | | | | | | | | | | | | | | | | | | | | | | | | | | | | | | | | | | | | | | | | | | | | | | | | | | | | | | | | | | | | | | | | | | | | | | | | | | | | | | | | | | | | | | | | | | | | |
| 28 | 1634353 | | | | | | | | | | | | | | | | | | | | | | | | | | | | | | | | | | | | | | | | | | | | | | | | | | | | | | | | | | | | | | | | | | | | | | | | | | | | | | | | | | | | | | | | | | | | | | | | | | | | | | | | | | | | | | | | | |
| 29 | 1634355 | | | | | | | | | | | | | | | | | | | | | | | | | | | | | | | | | | | | | | | | | | | | | | | | | | | | | | | | | | | | | | | | | | | | | | | | | | | | | | | | | | | | | | | | | | | | | | | | | | | | | | | | | | | | | | | | | |
| 30 | 0450081 | | | | | | | | | | | | | | | | | | | | | | | | | | | | | | | | | | | | | | | | | | | | | | | | | | | | | | | | | | | | | | | | | | | | | | | | | | | | | | | | | | | | | | | | | | | | | | | | | | | | | | | | | | | | | | | | | |
| 31 | 0013749 | | | | | | | | | | | | | | | | | | | | | | | | | | | | | | | | | | | | | | | | | | | | | | | | | | | | | | | | | | | | | | | | | | | | | | | | | | | | | | | | | | | | | | | | | | | | | | | | | | | | | | | | | | | | | | | | | |
| 32 | 1734714 | | | | | | | | | | | | | | | | | | | | | | | | | | | | | | | | | | | | | | | | | | | | | | | | | | | | | | | | | | | | | | | | | | | | | | | | | | | | | | | | | | | | | | | | | | | | | | | | | | | | | | | | | | | | | | | | | |
| 97 | 1951629 | | | | | | | | | | | | | | | | | | | | | | | | | | | | | | | | | | | | | | | | | | | | | | | | | | | | | | | | | | | | | | | | | | | | | | | | | | | | | | | | | | | | | | | | | | | | | | | | | | | | | | | | | | | | | | | | | |
| 98 | 1893449 | D 230V 55/60Hz | | | | | | | | | | | | | | | | | | | | | | | | | | | | | | | | | | | | | | | | | | | | | | | | | | | | | | | | | | | | | | | | | | | | | | | | | | | | | | | | | | | | | | | | | | | | | | | | | | | | | | | | | | | | | | | | |
| | 1893449 | CH 230V 50/60Hz | | | | | | | | | | | | | | | | | | | | | | | | | | | | | | | | | | | | | | | | | | | | | | | | | | | | | | | | | | | | | | | | | | | | | | | | | | | | | | | | | | | | | | | | | | | | | | | | | | | | | | | | | | | | | | | | |
| | 1893450 | GB 110V 50Hz | | | | | | | | | | | | | | | | | | | | | | | | | | | | | | | | | | | | | | | | | | | | | | | | | | | | | | | | | | | | | | | | | | | | | | | | | | | | | | | | | | | | | | | | | | | | | | | | | | | | | | | | | | | | | | | | |
| | 1893451 | USA 120V 50/60Hz | | | | | | | | | | | | | | | | | | | | | | | | | | | | | | | | | | | | | | | | | | | | | | | | | | | | | | | | | | | | | | | | | | | | | | | | | | | | | | | | | | | | | | | | | | | | | | | | | | | | | | | | | | | | | | | | |
| | 1893452 | KR 220V 60Hz | | | | | | | | | | | | | | | | | | | | | | | | | | | | | | | | | | | | | | | | | | | | | | | | | | | | | | | | | | | | | | | | | | | | | | | | | | | | | | | | | | | | | | | | | | | | | | | | | | | | | | | | | | | | | | | | |
| | 2007331 | CN 220V 50Hz | | | | | | | | | | | | | | | | | | | | | | | | | | | | | | | | | | | | | | | | | | | | | | | | | | | | | | | | | | | | | | | | | | | | | | | | | | | | | | | | | | | | | | | | | | | | | | | | | | | | | | | | | | | | | | | | |
| 99 | 1893310 | D 230V 55/60Hz | | | | | | | | | | | | | | | | | | | | | | | | | | | | | | | | | | | | | | | | | | | | | | | | | | | | | | | | | | | | | | | | | | | | | | | | | | | | | | | | | | | | | | | | | | | | | | | | | | | | | | | | | | | | | | | | |
| | 1893351 | CH 230V 50/60Hz | | | | | | | | | | | | | | | | | | | | | | | | | | | | | | | | | | | | | | | | | | | | | | | | | | | | | | | | | | | | | | | | | | | | | | | | | | | | | | | | | | | | | | | | | | | | | | | | | | | | | | | | | | | | | | | | |
| | 1893352 | GB 110V 50Hz | | | | | | | | | | | | | | | | | | | | | | | | | | | | | | | | | | | | | | | | | | | | | | | | | | | | | | | | | | | | | | | | | | | | | | | | | | | | | | | | | | | | | | | | | | | | | | | | | | | | | | | | | | | | | | | | |
| | 1893353 | USA 120V 50/60Hz | | | | | | | | | | | | | | | | | | | | | | | | | | | | | | | | | | | | | | | | | | | | | | | | | | | | | | | | | | | | | | | | | | | | | | | | | | | | | | | | | | | | | | | | | | | | | | | | | | | | | | | | | | | | | | | | |
| | 1893310 | KR 220V 60Hz | | | | | | | | | | | | | | | | | | | | | | | | | | | | | | | | | | | | | | | | | | | | | | | | | | | | | | | | | | | | | | | | | | | | | | | | | | | | | | | | | | | | | | | | | | | | | | | | | | | | | | | | | | | | | | | | |
| | 2007324 | CN 220V 50Hz | | | | | | | | | | | | | | | | | | | | | | | | | | | | | | | | | | | | | | | | | | | | | | | | | | | | | | | | | | | | | | | | | | | | | | | | | | | | | | | | | | | | | | | | | | | | | | | | | | | | | | | | | | | | | | | | |
| 100 | | → Blatt-No: 3,4 | | | | | | | | | | | | | | | | | | | | | | | | | | | | | | | | | | | | | | | | | | | | | | | | | | | | | | | | | | | | | | | | | | | | | | | | | | | | | | | | | | | | | | | | | | | | | | | | | | | | | | | | | | | | | | | | |





Getriebekopf

| 订货号 | | 备件 | | | |
|--------------|---------|-------------------|-----|---------|------------|
| No. D'ORDINE | | PEZZO DI RICAMBIO | 133 | 1640811 | |
| NO. DE REF. | | PIEZA DE RECAMBIO | 134 | 1635157 | |
| NO. DE REF. | | PIECE DE RECHANGE | 135 | 2046587 | |
| ORDER NO. | | SPARE PART | 136 | 1681498 | |
| NO BEST.-NR. | | ERSATZTEIL | 138 | 1644867 | No.3 (set) |
| | | | | 1644868 | No.2 (set) |
| | | | 139 | 1692842 | |
| 102 | 0383934 | | 140 | 0144020 | |
| 103 | 1877826 | | 150 | 1708287 | |
| 105 | 1637973 | | 200 | 1639209 | |
| 106 | 0010685 | | 201 | 1639280 | |
| 108 | 0011355 | | 210 | 1640646 | |
| 109 | 0014800 | | 211 | 1617345 | |
| 114 | 0119583 | | 212 | 4145794 | |
| 115 | 0122906 | | 213 | 1617379 | |
| 116 | 0021130 | | 215 | 0012289 | |
| 117 | 1635266 | | 216 | 1617403 | |
| 118 | 1655692 | | 220 | 1965837 | |
| 119 | 1658451 | | 250 | 1620341 | |
| 121 | 0014842 | | 400 | 1620348 | |
| 122 | 1664931 | | 410 | 1663445 | |
| 123 | 1664932 | | 420 | 1663444 | |
| 124 | 357954 | | 500 | 1639208 | |
| 125 | 1965836 | | | | |
| 127 | 1617379 | | | | |
| 128 | 4145134 | | | | |
| 130 | 1633583 | | | | |
| 132 | 0014753 | | | | |



A (1:1)

