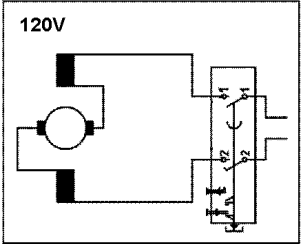
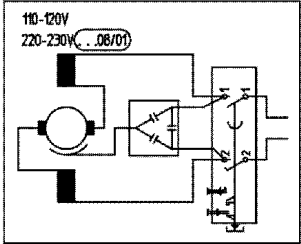
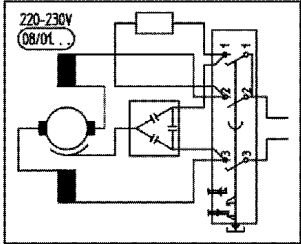
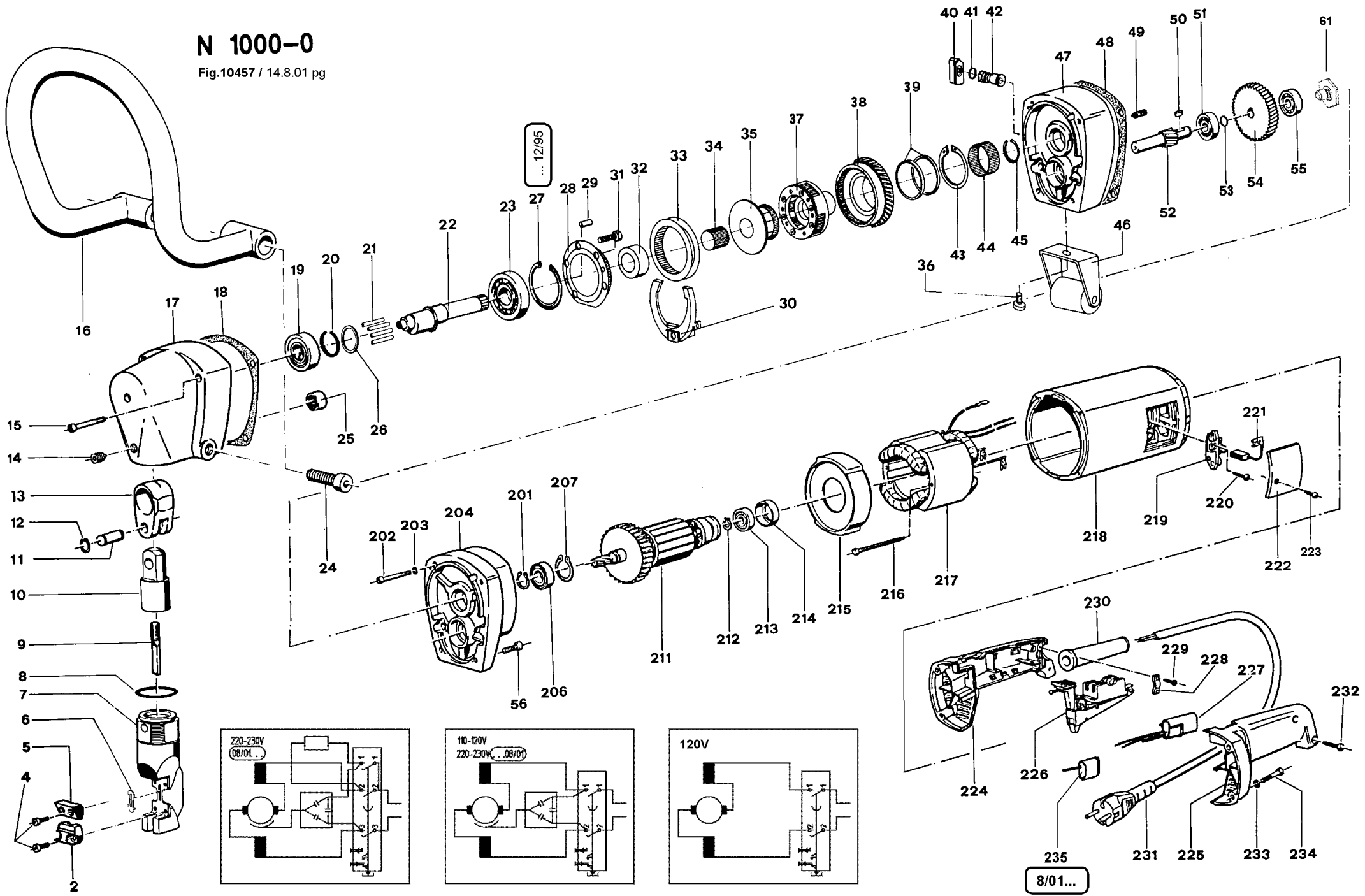




# N 1000-0

Fig.10457 / 14.8.01 pg



8/01...